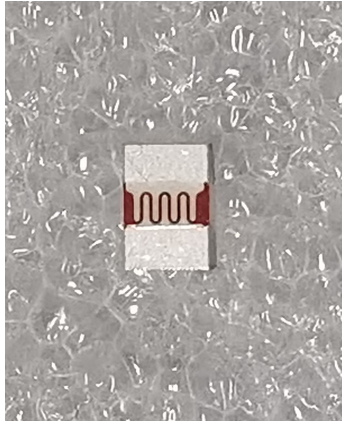
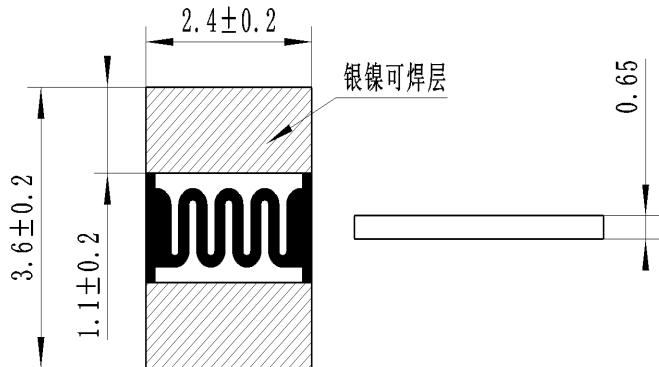


## SMD Photocells

## GT36 Series



PACKAGE DIMENSIONS unit(mm)

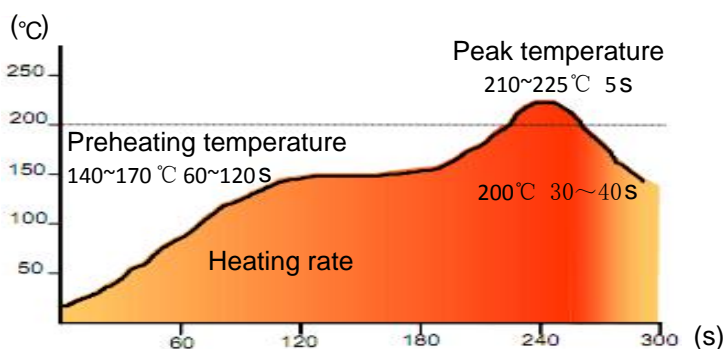


### ELECTRO-OPTICAL CHARACTERISTICS @25°C

Type	Typical Electro-Optical Characteristics			Limit Values			
	Light Resistance [10Lux] [KΩ]	Dark Resistance Min[10s] [MΩ]	$\gamma_{10/100}$ typ	$T_{op}$ range [°C]	$V_{max}$ [V]	$P_{max}$ [mW]	$\lambda_{peak}$ [nm]
GT36516	5-10	0.3	0.5	-30 ~ +70	60	50	560
GT36528	8-20	0.5	0.6	-30 ~ +70	60	50	560
GT36537	18-50	2	0.6	-30 ~ +70	100	50	560
GT36549	50-150	5	0.65	-30 ~ +70	100	50	560

- Light Resistance: Measured at 10 Lux with standard light A (2856K color temperature) and 60-90minutes illumination at 400-600 Lux prior testing.
- Dark Resistance: Measured 10 seconds after closed 10 Lux.
- The error of  $\gamma$  is  $\pm 0.15$ .

### Reflow soldering: use lead-free medium temperature solder paste

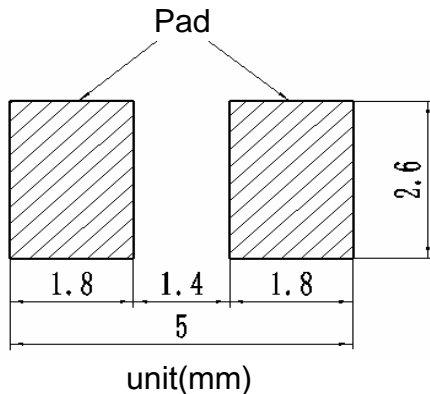


This product is suitable for medium temperature solder paste (melting point 151-172 °C). The specification shows the reflow soldering curve of medium temperature solder paste, which is for reference only and can be adjusted appropriately according to specific conditions.

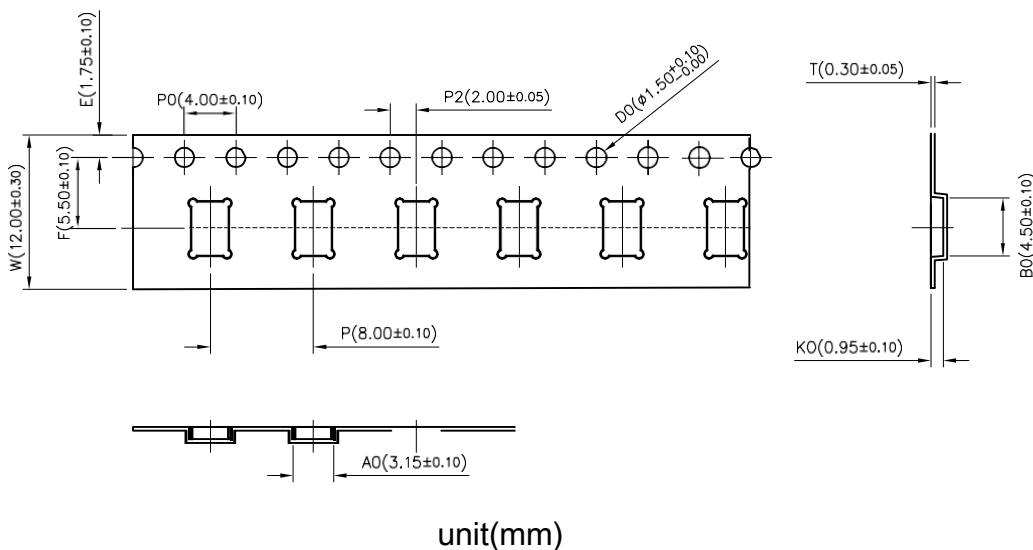
## SMD Photocells

## GT36 Series

Recommended pad dimensions:

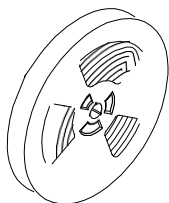


Carrier Tape:



Material: PS, black antistatic

Number of tapes: 2000 pcs Per Reel + the begin and end are empty 24 pcs



Reel specification: 7-inch black split rubber reel

Reel size: 177x60x12.4mm

地址：深圳市龙华区民治街道牛栏前港深国际中心9楼C913

电话：0755-23210829 传真：0755-23210825

网址：www.szjchl.com 邮箱：mk0622@163.com