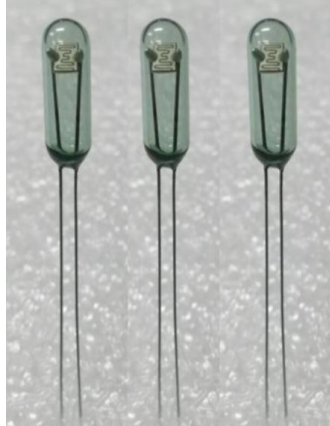
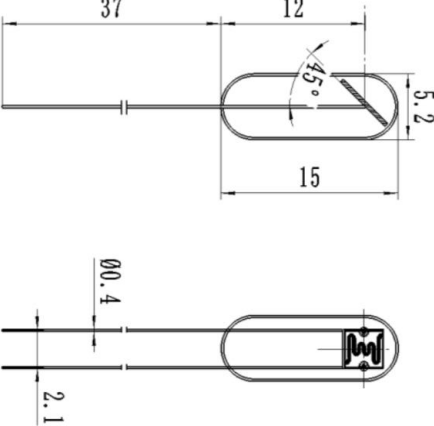


## 玻璃管壳光敏电阻

Glass Tube Photoresistor

U11 系列

U11 Series

产品示意图 (Product diagram)	外形尺寸图 (单位: mm) Overall dimension drawing (unit: mm)
	

### 产品特点 (Product features) :

- 1, 体积小 (The product is small in size)
- 2, 玻璃管封装 (Glass tube packaging)
- 3, 耐高温 (High temperature resistant)
- 4, 耐腐蚀 (Corrosion-resistant)
- 5, 抗紫外线下老化 (UV-resistant aging)

## U11 系列的规格和电参数表

(Specifications and electrical parameters of U11 Series)

产品型号 Model	U116012	U116013	U116014	U116032
最大耐压 (VDC) Vmax	150			400
最大功耗 (mW) Pmax	50			
暗电阻 Dark Resistance (MΩ)	0.36	1.2	3	3
亮电阻 Light Resistance at 10Lux (KΩ)	20-50	35-220	150-1000	100-320
伽马值 Gamma value at 100-10Lux	0.7	0.85	0.9	0.7
环境温度 (°C) Ambient temp	-30- +70			
光谱峰值 (nm) Spectral peak (nm)	550			
响应时间 -上升 Response Time (ms)	20			
响应时间 -下降 Response Time (ms)	30			

地址: 深圳市龙华区民治街道牛栏前港深国际中心 9 楼 C913

ADD: Room C913, Gangshen international Center, Niulanqian, Minzhi Street, Longhua District, Shenzhen.

电话 (TEL): +86-755-23210829

传真 (FAX): +86-755-23210825

公司官网: <http://www.szjchl.com>

E-mail: [mk0622@163.com](mailto:mk0622@163.com)

## 基本概念 (Basic concepts) :

### 1, 亮电阻 ( Light resistance) :

在标准光源 A (色温 2854K)400-600LUX 光线下照射 2 个小时后, 再在 10LUX 光线下测得的阻值。

Measured at 10 Lux with standard light A (2854K color temperature) and 2hr illumination at 400-600 lux prior to testing.

### 2, 暗电阻 (Dark Resistance) :

在 A 光源下关闭 10LUX 后第 10 秒钟的最小阻值

Measured 10 seconds after closed 10 lux.)

### 3, 伽马值 ( Gamma Characteristic) :

Between 10 lux and 100 lux and given by :  $\gamma = \lg(R_{10}/R_{100})$

### 4, 最大功耗 (Wmax):

环境温度为 25°C 时的最大功耗。

Max. power dissipation at ambient temperature of 25 °C.

### 5, 耐压 (Vmax):

在黑暗状态下可连续施加到电阻上的最大电压。

Max. voltage in darkness that may be applied to the cell continuously.

## 包装 (packing) :

50 只/袋 (50 per bag) , 250 只/盒 (250 per box)

## 外箱标签 (Outer box label) :



深圳市晶创和立科技有限公司

订单编号	
物料编号	
产品名称	
规格型号	
数量	
日期	

## 注意事项 (matters needing attention) :

### 1,本光敏电阻含有镉 (Cd)

This photoresistor contains cadmium (Cd)

### 2,储存环境: -30-50 度温度内干燥避光环境下保存, 以免引脚氧化。

Storage environment: - 30-50 ° C, dry and protected from light to avoid pin oxidation.

### 3, 焊接时焊点离光敏电阻本体要在 3mm 以上。以免高温破坏产品。

During welding, the distance between the welding spot and the photoresist body shall be more than 3mm. So as not to damage the product at high temperature.

### 4, 焊接时不能温度过高, 焊接时间过长。以免高温破坏产品。

During welding, the temperature shall not be too high and the welding time at shall not be too long (no more than 3 seconds). So as not to damage the product high temperature.